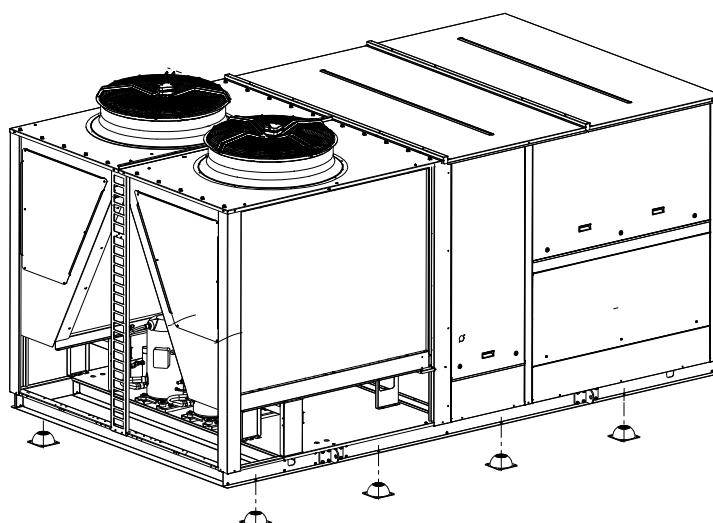




BY JOHNSON CONTROLS

Antivibration supports for Roof Top ACTIVA 100/175



Options and Accessories, Installation manual

Ref.: N-40439_EN 0714



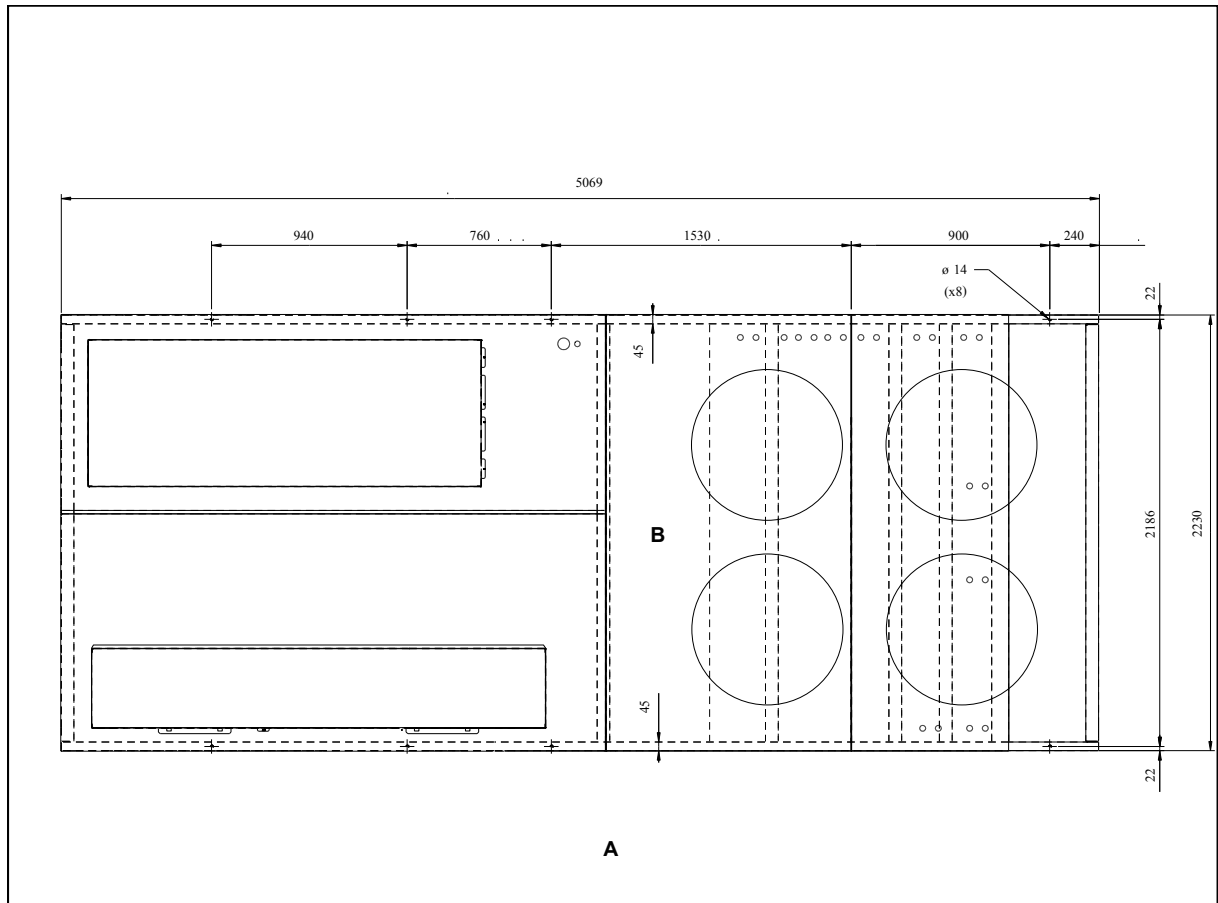
Index

1	Antivibration supports for Roof Top ACTIVA 100/175.....	1
1.1	General information.....	2
1.2	Dimensions.....	4
1.3	Assembly.....	4

1

**Antivibration supports for Roof Top
ACTIVA 100/175**

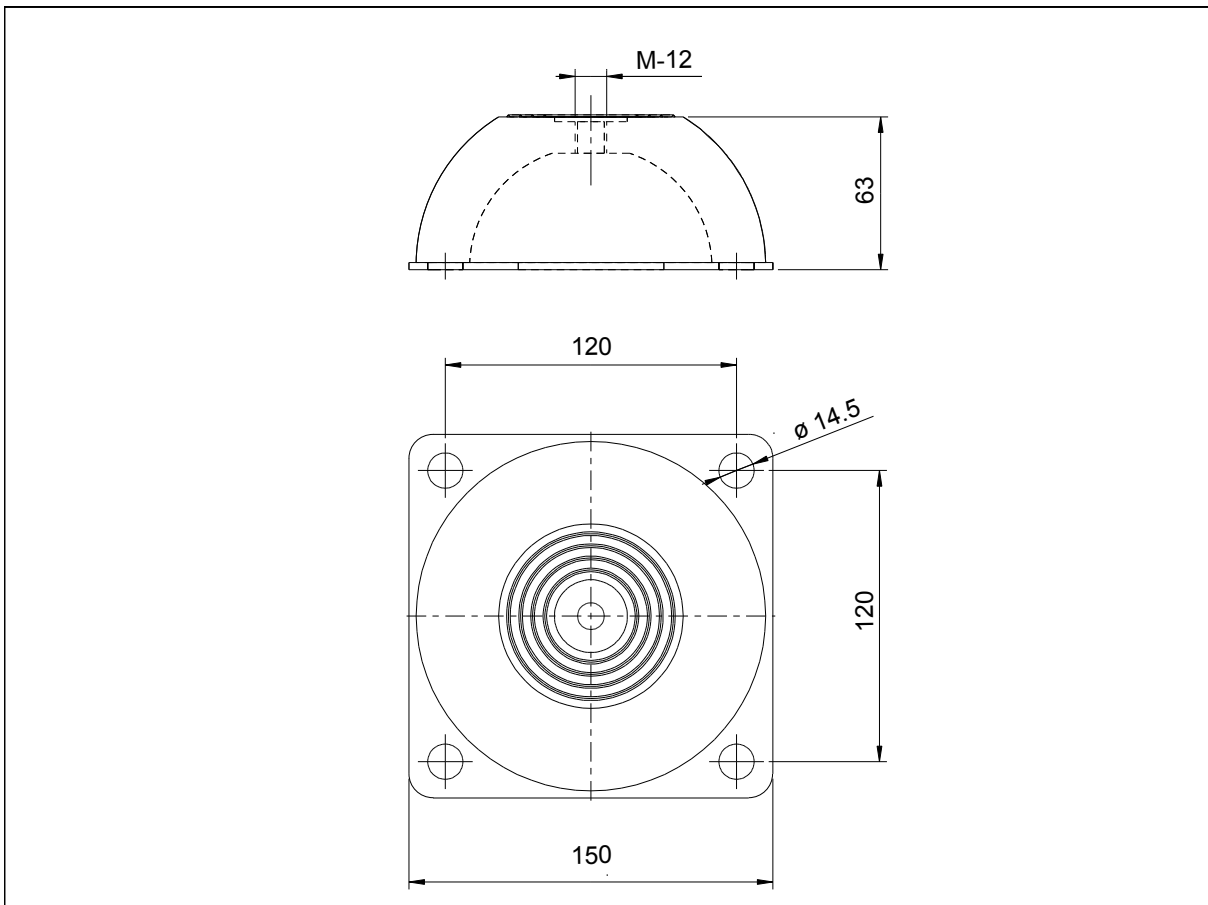
- **Models 150 / 175: 10 shock absorbers**



- A Base rail dimensions
- B Condenser and compressor side

Model	Approximate weight on each support point [kg] (units without options or accessories)			
	100	125	150	175
ARC	217	218	207	209
ARH	221	222	213	215
ARG	247	248	231	233
ARD	251	262	237	239

1.2 Dimensions



1.3 Assembly

- 1 Securing bolts
- 2 Shock absorber

